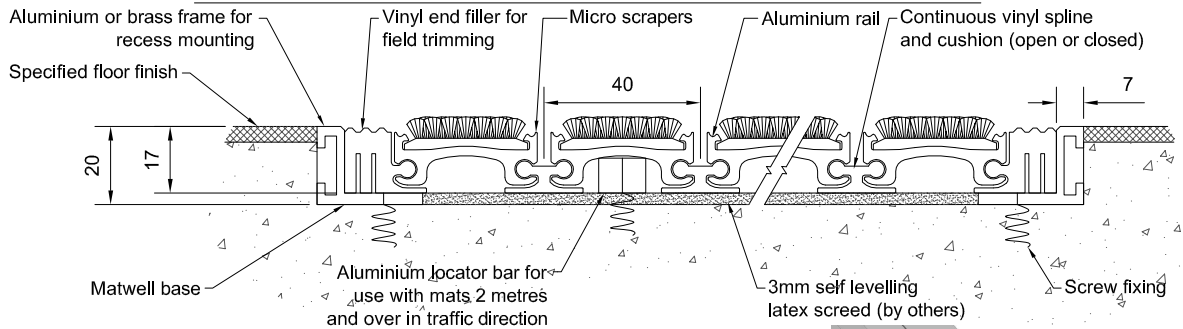
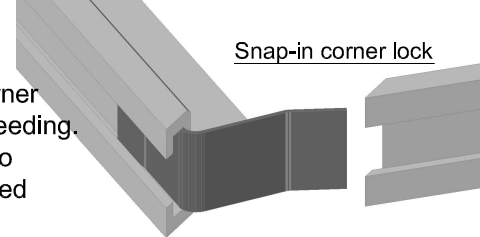


## Installation & Maintenance Instructions



### Mats with a traffic direction less than 2metres

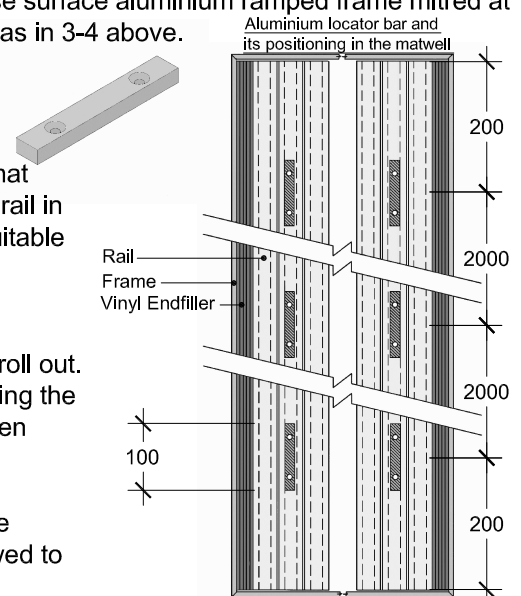
1. Assemble aluminium matwell frame using pre-mitred frame and corner locks. Check to ensure frame dimensions are accurate before proceeding. Drill frame, place into position, shim frame to correct level taking into account the floor finish, plug and screw to base using fixings provided
2. Using a self-levelling latex screed, or other suitable material, form the matwell base level with the top of the base flange section. Particular attention should be given to ensure your matwell base is flat and undulation free. If more than one mat is being installed and butt joints are required T-frame supplied by C/S should be fitted to ensure mat edges are separated.
3. Mats in excess of 50kgs are normally supplied in sections with loose spline for site assembly. The textile pile direction is indicated by arrows on the reverse of the mats, care should be taken to ensure that all sections are installed with the arrows pointing in the same direction.
4. Your Pediluxe has been fitted with Vinyl Endfiller to front and back edges. Trim the endfiller at one end to the desired size.
5. Lay Pediluxe into finished matwell and roll out. The natural slack between rails should be closed by condensing the rails towards the trimmed end. Work your way along the mat until you reach the opposite side. Carefully trim remaining vinyl endfiller after ensuring all slack has been taken up.
6. Surface mounted mats on tiled or smooth surfaces should use surface aluminium ramped frame mitred at corners and screwed to floor. Your mat can then be installed as in 3-4 above.



### Mats with a traffic direction greater than 2m

Follow instructions 1-3 above.

4. Locate the supplied aluminium bars on the matwell base so that they will line up with the front of the recess under the second rail in from the matwell frame and fix to the matwell base using a suitable screw fixing. One bar should be used at each side of the mat, approximately 200mm in from the edge, and at intervals of approximately 2000mm.
5. Lay the Pediluxe in the matwell over the aluminium bars and roll out. The natural slack between rails should be closed by condensing the rails towards the trimmed end. After ensuring all slack has been taken up repeat step 4 and complete installation by carefully trimming the remaining vinyl endfiller.
6. Surface mounted mats on tiled or smooth surfaces should use surface aluminium ramped frame mitred at corners and screwed to floor. Your mat can be installed as in steps 4-5 above.



**C/S Pedisystems®**

Entrance Matting Systems

V1.1

Installation Instructions

All dimensions in millimetres unless otherwise stated.  
Do not scale from the drawing. If in doubt ask



**Construction Specialties™**

**Construction Specialties (UK) Ltd**  
1010 Westcott Venture Park  
Westcott, Aylesbury  
Buckinghamshire HP18 0XB  
England

Tel: +44 (0)1296 652800

Fax: +44 (0)1296 652888

e-mail: [info@c-sgroup.co.uk](mailto:info@c-sgroup.co.uk)

Internet: [www.c-sgroup.co.uk](http://www.c-sgroup.co.uk)



**Daily Maintenance Installation & Maintenance Instructions**

Vacuum daily with a powerful suction machine fitted with rotating head brushes. The brushes will agitate the pile, loosening the soiling which is then removed by the suction action. Vinyl, abrasive and serrated insert options can be enhanced by regularly cleaning with a damp mop and a low foaming detergent.

Chewing gum  
Textile

- Freeze the gum with a freezer spray, shatter the gum with a hammer and agitate with a scraper, then vacuum up the fragments. This should be done on a daily basis; chewing gum left longer may require more than one treatment.

Vinyl, abrasive and serrated aluminium

- Freeze the gum with a freezer spray and carefully scrape off/chip off the frozen gum, taking care not to damage the inserts.

**Periodic Maintenance**

Pedigrind mats have open construction, which allows dirt to fall through the slots in the mat to the matwell. These mats will need to be lifted periodically and the matwell cleaned out. The frequency with which this will need to be carried out will depend on the volume of traffic, but as a general rule the mats should be lifted weekly in heavy traffic areas. If the matwell is overdue for cleaning the mat may start to lift at the edges and there may be an audible "crunch" underfoot.

In high traffic areas the matting should be deep cleaned four to six times a year with more of the cleans undertaken in the winter months. Deep cleaning can be carried out using a water spray extraction method whereby water is sprayed into the carpet pile, agitated and then extracted along with the soil, or by a dry cleaning method whereby a dry cleaning compound is brushed into the pile where it binds to the soil and is vacuumed out.

- Water temperatures should not exceed 60oC.
- Detergents should be used sparingly.
- Only use chemicals suitable for cleaning carpets.
- Strictly follow manufacturer's instructions.

Deep Clean Specification.

- 1) Cylinder power brush.
- 2) Dry suction clean.
- 3) Pre-spot treatment.
- 4) Hot water extraction with detergent.
- 5) Hot water rinse.
- 6) Post-spot treatment.
- 7) Post dry groom.

**Damage**

In the event of any damage occurring please contact the manufacturer, most problems can be overcome on site without the need to return the mat to the factory. When the long life nylon inserts finally wear out they can be replaced without the need for replacing the entire system.

**Stain Removal**

Category One

- |                                      |                                         |
|--------------------------------------|-----------------------------------------|
| <input type="checkbox"/> Caramel     | <input type="checkbox"/> Jam            |
| <input type="checkbox"/> Soft Drinks | <input type="checkbox"/> Ketchup        |
| <input type="checkbox"/> Fruit Juice | <input type="checkbox"/> Liquors        |
| <input type="checkbox"/> Gravy       | <input type="checkbox"/> Cocoa          |
| <input type="checkbox"/> Honey       | <input type="checkbox"/> Salad Dressing |

Use PROCHEM\* Neutral Spot Remover.

Category Two

- |                                       |                                       |
|---------------------------------------|---------------------------------------|
| <input type="checkbox"/> Berries      | <input type="checkbox"/> Grass Stains |
| <input type="checkbox"/> Blood        | <input type="checkbox"/> Ice Cream    |
| <input type="checkbox"/> Coffee       | <input type="checkbox"/> Pet Food     |
| <input type="checkbox"/> Cream & Milk | <input type="checkbox"/> Tea          |
| <input type="checkbox"/> Egg          | <input type="checkbox"/> Vomit        |
| <input type="checkbox"/> Fats         |                                       |

Use PROCHEM\* Blood and Protein Remover.

Category Three

- |                                           |                                         |
|-------------------------------------------|-----------------------------------------|
| <input type="checkbox"/> Adhesives        | <input type="checkbox"/> Crayon         |
| <input type="checkbox"/> Asphalt & Tar    | <input type="checkbox"/> Chewing Gum    |
| <input type="checkbox"/> Grease & Oil     | <input type="checkbox"/> Oily Cosmetics |
| <input type="checkbox"/> Lipstick         | <input type="checkbox"/> Ointments      |
| <input type="checkbox"/> Butter           | <input type="checkbox"/> Oleomargarine  |
| <input type="checkbox"/> Food Oils & Lard |                                         |

Use PROCHEM\* Grease, Gum and Tar Remover.

Category Four

- |                                       |                                            |
|---------------------------------------|--------------------------------------------|
| <input type="checkbox"/> Urine        | <input type="checkbox"/> Beer              |
| <input type="checkbox"/> Faeces       | <input type="checkbox"/> Fresh Latex Paint |
| <input type="checkbox"/> Perspiration | <input type="checkbox"/> Mayonnaise        |
| <input type="checkbox"/> Hair Oils    | <input type="checkbox"/> Tannin            |
| <input type="checkbox"/> Sugar        | <input type="checkbox"/> Tea & Coffee      |
| <input type="checkbox"/> Chocolate    |                                            |

Use PROCHEM\* Urine Spotter and Deodouriser.

\* PROCHEM is the registered trade name of PROCHEM Europe Ltd (Tel 020 8974 1515)  
Please ensure stain removal is carried out according to manufacturer's recommendations.

**C/S Pedisystems®**  
Entrance Matting Systems  
V1.1  
Maintenance Instructions

All dimensions in millimetres unless otherwise stated.  
Do not scale from the drawing. If in doubt ask



**Construction Specialties™**

**Construction Specialties (UK) Ltd**  
1010 Westcott Venture Park  
Westcott, Aylesbury  
Buckinghamshire HP18 0XB  
England

Tel: +44 (0)1296 652800  
Fax: +44 (0)1296 652888

e-mail: [info@c-sgroup.co.uk](mailto:info@c-sgroup.co.uk)  
Internet: [www.c-sgroup.co.uk](http://www.c-sgroup.co.uk)



ENTRANCE FLOORING SYSTEMS ASSOCIATION